

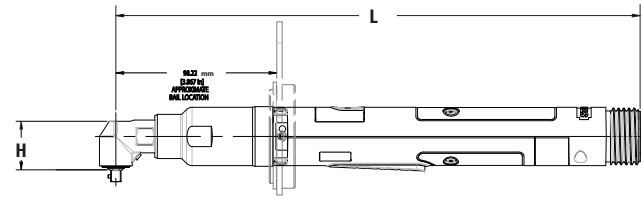
EB Angle Tool Options

A10 Output	Part No.
3/8" Square Drive	20D122901
1/4" Quick Change	20D122902
A13 Output	Part No.
3/8" Double-Ended, LH Thread	20D121912
Flush Socket 10mm Max*	20D121914
1/4" Quick Change	20D121916
3/8" Double-Ended, RH Thread	20D121917
Flush Socket 13mm Max *	20D121918
1/4" Square Drive	20D121919
1/4" Magnetic Internal Hex	20D121920
A15 Output	Part No.
Flush Socket *	20D137501
Magnet Option for Flush Socket *	20D910301
A18 Output	Part No.
3/8" Double-Ended, RH Thread	20D136502
Flush Socket *	20D136503
A19 Threaded Output	Part No.
Flush Socket *	20D100021
A19 Spindled Output	Part No.
Anit-Vibration 1/2" SD	20D100101
Flush Socket *	20D100106
1/2" Double-Ended, RH Thread	20D100107
Guided Collar 1/2" SD **	20D100109
A22 Output	Part No.
Flush Socket *	20D100309
1/2" Double-Ended, RH Thread	20D100326
Guided Collar 1/2" SD **	20D100321
Reaction Bar (A22 Output Only)	Part No.
Reaction Bar Assembly	20K100000
Mounting Flange Assembly	20K100300
Base Mount Bracket Assembly	20K100500

Suspension Bails	Part No.
Wire Bail	A3061
Swivel (A10, A13, A18 only)	20K101400
Swivel (A19, A22 only)	20K200000
Standard (A13, A15, A18 only)	B3432
Vinyl Covers	Part No.
A10 Output	20D250711
A13 Output	20D250711
A18 Output	20D250702
Socket Lock Pin 3/8" or 1/2" SD	Part No.
Standard	20D227800
Rounded (Ball Detent)	20D227801

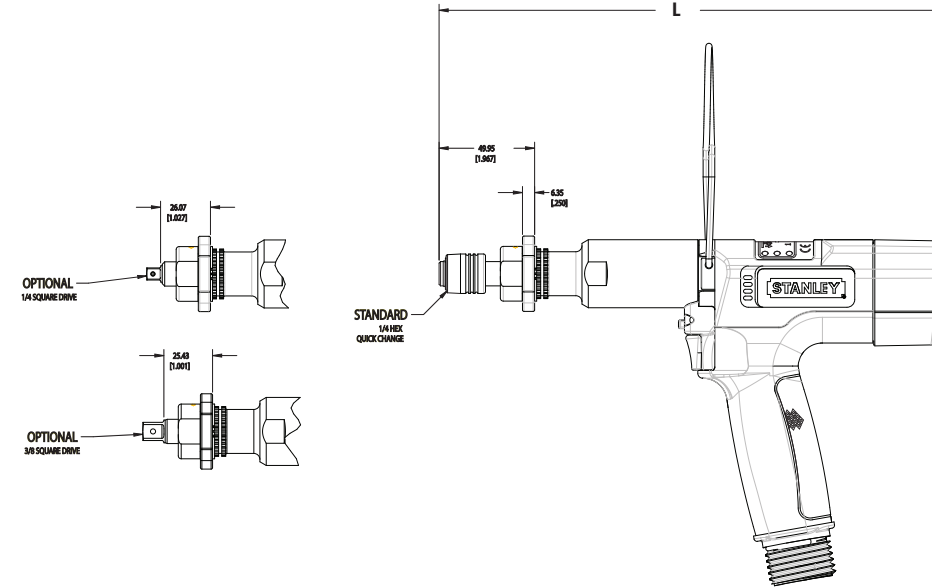
*Flush socket selection starts on page 76
 ** Guided Collar selection on page 100

Angle Lever Tools (55 to 400 Nm)



Model	Rated Speed		Torque		"R" Side to Center		"H" Head Height		"L" Length		Weight		Output
	RPM	Nm	lb ft	mm	in	mm	in	mm	in	kg	lb	Standard	
EB44LA19-55	1192	55	40.55	19	0.75	48.7	1.92	458.4	18.0	2.78	6.12	1/2" SD	
EB34LA19-70	610	70	51.61	19	0.75	48.7	1.92	488.0	19.2	2.34	5.15	1/2" SD	
EB34LA22A-80	511	80	58.98	22	0.87	50.0	2.00	530.0	20.9	2.66	5.85	1/2" SD	
EB44LA19-80	843	80	58.98	19	0.75	48.7	1.92	488.0	19.2	2.78	6.12	1/2" SD	
EB44LA22A-80	807	80	58.98	22	0.87	50.0	2.00	539	21.2	3.10	6.82	1/2" SD	
EB54LA22A-100	989	100	73.73	22	0.87	50.0	2.00	632	24.9	3.74	8.23	1/2" SD	
EB34LA22A-115	337	115	84.79	22	0.87	50.0	2.00	530.0	20.9	2.66	5.85	1/2" SD	
EB44LA22A-120	551	120	88.48	22	0.87	50.0	2.00	539	21.2	3.10	6.82	1/2" SD	
EB45LA26-120	530	120	88.48	26	1.02	60	2.4	582	22.9	4.55	10.01	3/4" SD	
EB55LA26-120	824	120	88.48	26	1.02	60	2.4	632	24.9	5.19	11.42	3/4" SD	
EB55LA26-160	620	160	117.97	26	1.02	60	2.4	632	24.9	5.19	11.42	3/4" SD	
EB45LA26-165	397	165	121.65	26	1.02	60	2.4	582	22.9	4.55	10.01	3/4" SD	
EB45LA26-220	262	220	162.21	26	1.02	60	2.4	582	22.9	4.55	10.01	3/4" SD	
EB55LA26-220	459	220	162.21	26	1.02	60	2.4	632	24.9	5.19	11.42	3/4" SD	
EB55LA32-300	341	300	221.19	32	1.26	73	2.9	639	25.1	5.85	12.87	3/4" SD	
EB55LA32-400	225	400	294.92	32	1.26	73	2.9	639	25.1	5.85	12.87	3/4" SD	

Pistol Grip Tools (4 to 470 Nm)



Model	Rated Speed		Torque		"R" Side to Center		"L" Length		Weight		Output
	RPM	Nm	lb ft	mm	in	mm	in	kg	lb	Standard	
EB02PB-4	1113	4	2.9	18	0.7	211	8.3	0.74	1.6	1/4 QC	
EB12PB-6	2301	6	4.4	20	0.8	222	8.7	0.78	1.7	1/4 QC	
EB02PB-6	782	6	4.4	18	0.7	211	8.3	0.74	1.6	1/4 QC	
EB12PB-9	1595	9	6.6	20	0.8	236	9.3	0.78	1.7	1/4 QC	
EB02PB-9	505	9	6.6	18	0.7	211	8.3	0.74	1.6	1/4 QC	
EB12PB-14	1022	14	10	20	0.8	212	8.3	0.78	1.7	1/4 QC	
EB22PB-16	1226	16	11	26	1.04	248	9.7	1.16	2.5	1/4 QC	

Model	Rated Speed		Torque		"R" Side to Center		"L" Length		Weight		Output
	RPM	Nm	lb ft	mm	in	mm	in	kg	lb	Standard	
EB12PB-20	659	20	14	20	0.8	212	8.3	0.78	1.7	3/8" SD	
EB22PB-21	980	21	15	26	1.04	248	9.7	1.16	2.5	3/8" SD	
EB33PB-28	1590	28	20	26	1.04	288	11.3	1.49	3.2	3/8" SD	
EB22PB-29	669	29	21	26	1.04	248	9.7	1.16	2.5	3/8" SD	
EB33PB-40	1117	40	29	26	1.04	288	11.3	1.49	3.2	3/8" SD	
EB34PB1-55	830	55	40	32	1.25	324	12.8	1.15	2.5	1/2" SD	
EB44PB1-75	858	75	55	32	1.25	324	12.8	1.15	2.5	1/2" SD	
EB34PB1-75	546	75	55	32	1.25	324	12.8	1.15	2.5	1/2" SD	
EB44PB1-105	566	105	77	32	1.25	324	12.8	1.15	2.5	1/2" SD	
EB34PB1-105	407	105	77	32	1.25	324	12.8	1.15	2.5	1/2" SD	

EB Pistol Tool Options

Output Options	Part No.
3/8" SD PTS	20D119301
1/4" SD PTS	20D119302
3/8" SD Socket Lock Pin	Part No.
Standard	20D227800
Rounded (Ball Detent)	20D227801
Reaction Bar	Part No.
Spacer	20D217000
Reaction Bar 17" Long	20K100103
Reaction Bar 12" Long	20K101601
Suspension Bail	Part No.
Wire Bail	A3061